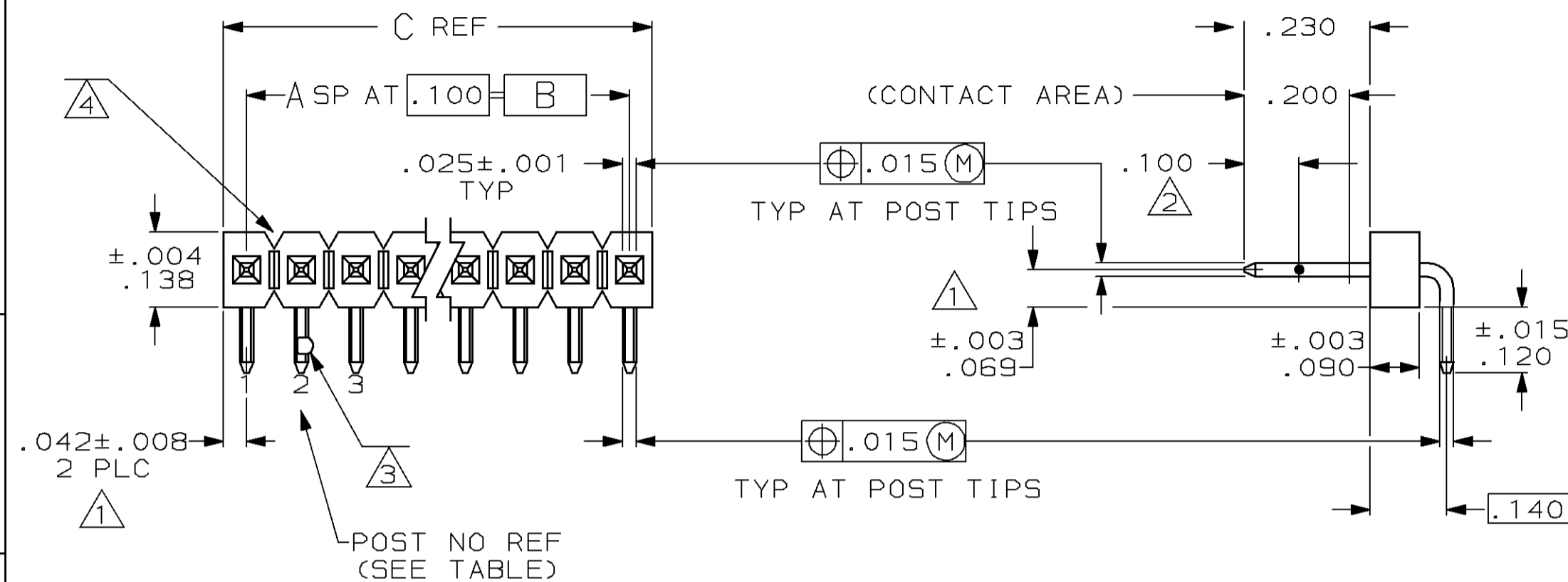
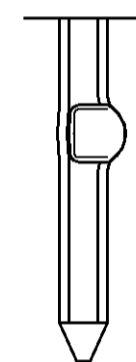


THIS DRAWING IS UNPUBLISHED. RELEASED FOR PUBLICATION, 19  
 © COPYRIGHT 19 BY AMP INCORPORATED, HARRISBURG, PA. ALL INTERNATIONAL RIGHTS RESERVED. AMP PRODUCTS MAY BE COVERED BY U.S. AND FOREIGN PATENTS AND/OR PATENTS PENDING.

LOC		DIST		P		F		REVISIONS		
AD	39			ZONE	LTR	DESCRIPTION		DATE	APPROVED	
					D	EC 0010-1601-95		2/20/97	GD	



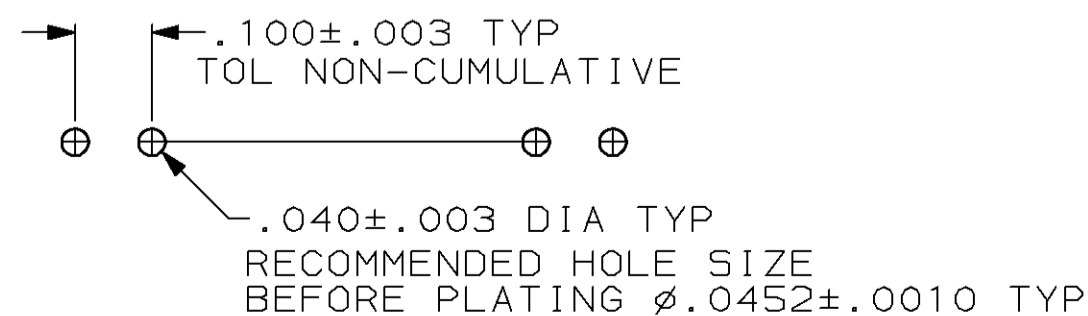
- 1 THE NOTED DIMENSION APPLIES AT THE INTERSECTION OF THE POST AND HOUSING
- 2 POINT OF MEASUREMENT FOR PLATING THICKNESS
- 3 SELECTIVE POSTS ARE FORMED TO PROVIDE CONNECTOR RETENTION TO PC BOARD UNTIL SOLDERED. RETENTION FEATURE IS FOR .055 MINIMUM PC BOARD THICKNESS. SEE DETAIL Z FOR FORM AND TABLE FOR LOCATIONS.
- 4 BREAKAWAY NOTCH ANGLE CAN BE ORIENTED TO THE RIGHT (AS SHOWN) OR TO THE LEFT



DETAIL Z  
 POST DETAIL TYP  
 2 POST MINIMUM  
 SCALE 10:1

1, 2, 3, 4, 37, 38, 39, 40	3.984	3.900	39	40	2-104347-7
1, 2, 3, 4, 32, 33, 34, 35	3.484	3.400	34	35	2-104347-6
1, 2, 3, 4, 27, 28, 29, 30	2.984	2.900	29	30	2-104347-5
1, 2, 3, 4, 23, 24, 25, 26	2.584	2.500	25	26	2-104347-4
1, 2, 3, 4, 22, 23, 24, 25	2.484	2.400	24	25	2-104347-3
1, 2, 3, 4, 21, 22, 23, 24	2.384	2.300	23	24	2-104347-2
1, 2, 3, 4, 20, 21, 22, 23	2.284	2.200	22	23	2-104347-1
1, 2, 3, 4, 19, 20, 21, 22	2.184	2.100	21	22	2-104347-0
1, 2, 3, 4, 18, 19, 20, 21	2.084	2.000	20	21	1-104347-9
1, 2, 3, 4, 17, 18, 19, 20	1.984	1.900	19	20	1-104347-8
1, 2, 3, 4, 16, 17, 18, 19	1.884	1.800	18	19	1-104347-7
1, 2, 3, 4, 15, 16, 17, 18	1.784	1.700	17	18	1-104347-6
1, 2, 3, 4, 14, 15, 16, 17	1.684	1.600	16	17	1-104347-5
1, 2, 3, 4, 13, 14, 15, 16	1.584	1.500	15	16	1-104347-4
1, 2, 3, 4, 12, 13, 14, 15	1.484	1.400	14	15	1-104347-3
1, 2, 3, 4, 11, 12, 13, 14	1.384	1.300	13	14	1-104347-2
1, 2, 3, 4, 10, 11, 12, 13	1.284	1.200	12	13	1-104347-1
1, 2, 3, 4, 9, 10, 11, 12	1.184	1.100	11	12	1-104347-0
1, 2, 3, 4, 8, 9, 10, 11	1.084	1.000	10	11	104347-9
1, 2, 3, 4, 7, 8, 9, 10	.984	.900	9	10	104347-8
1, 2, 3, 4, 6, 7, 8, 9	.884	.800	8	9	104347-7
ALL	.784	.700	7	8	104347-6
ALL	.684	.600	6	7	104347-5
ALL	.584	.500	5	6	104347-4
ALL	.484	.400	4	5	104347-3
ALL	.384	.300	3	4	104347-2
ALL	.284	.200	2	3	104347-1

HOLD-DOWN POST CONFIGURATION LOCATION	C	B	A	NO OF POSN	ASSEMBLY PART NUMBER
---------------------------------------	---	---	---	------------	----------------------



RECOMMENDED HOLE LAYOUT

UNLESS OTHERWISE DIMENSIONS ARE IN INCHES TOLERANCES ON : 2 PL DEC ± - 3 PL DEC ± .005 ANGLES ± -	DR 2-4-88 M. PASTAL CHK 2-9-88 R. FEIDT APPD 2-9-88 R. FEIDT	AMP INCORPORATED Harrisburg, Pa. 17105			
MATERIAL: HOUSING: FLAME RETARDANT THERMOPLASTIC, COLOR-BLACK POSTS: PHOS BRONZE FINISH: POSTS: .000030 GOLD ON THE CONTACT AREA, .000100-.000200 MATTE TIN-LEAD ON THE SOLDER TAIL, ALL OVER .000050 NICKEL	APPD 2-9-88 R. ELICKER PRODUCT SPEC - APPLICATION SPEC - WEIGHT -			NAME HEADER ASSY, MOD II, BREAKAWAY, RIGHT ANGLE, SINGLE ROW, .100Ø, .025 SQ POSTS, W/HOLD-DOWN CONFIG	
		SIZE <b>C</b>	FSCM NO 00779	DRAWING NO 104347	
		SCALE 4:1	SHEET 1 OF 1		